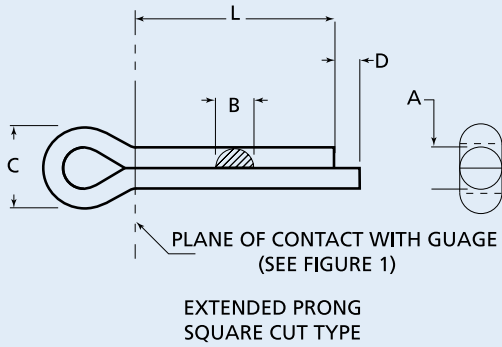
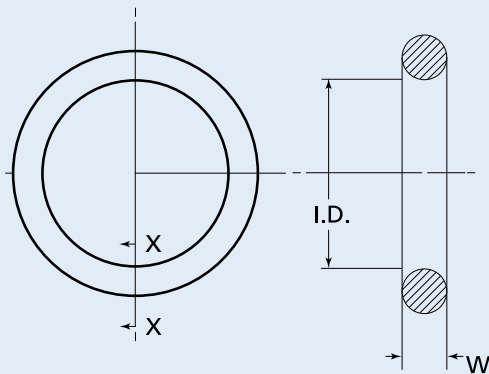


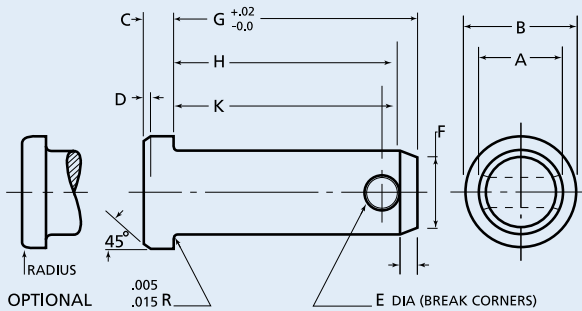
COTTER PINS



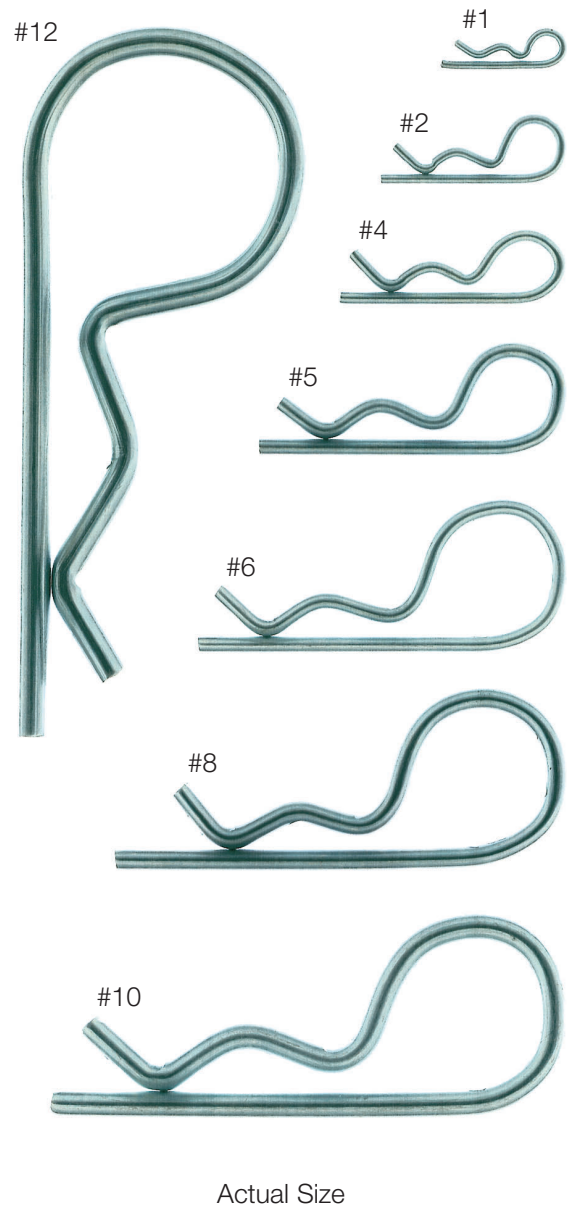
ORING



CLEVIS PINS



'R' CLIPS SIZE CHART



TAPER PINS

* Taper Pins are measured Large End x Length.
Standard Taper is 1/4" per 12"



PIN NUMBER	0	1	2	3	4	5	6	7	8	9	10
DIAMETER LARGE END – INCH	.156	.172	.193	.219	.250	.289	.341	.409	.492	.591	.706
APPROX. FRACTION SIZE – INCH	5/32	11/64	3/16	7/32	.250	19/64	11/32	13/32	1/2	19/32	23/32
APPROX. MM SIZE	3.96	4.36	4.76	5.55	6.35	7.54	8.7	10.3	12.7	15.0	18.2